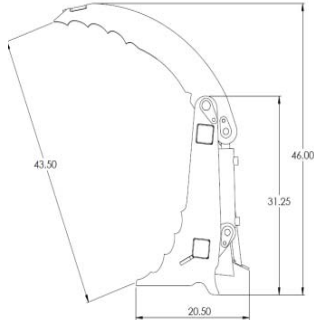


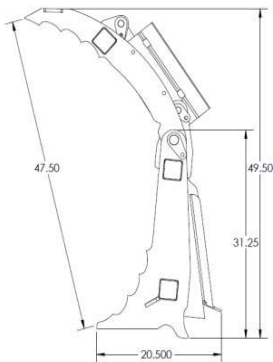
Grapple Rake 72" Model #33078



- Easily pick up debris
- Ability to use as a root rake
- Great for raking, piling, storm clean-up and demolition
- Excellent for rake or back dragging

Specifications	
Overall Width	70½"
Overall Height - Closed	31¼"
Overall Height - Open	46"
Overall Depth	20½"
Grapple Opening	43½"
Tines	1/2" Grade 50
Tubes	3" x 3" x 1/4"
Grapple Arms	1/2" Grade 50 - Laser Cut
Cylinders	2-1/2" x 8" Welded Cross Tube
Hydraulic Couplers	Flat Face
Hydraulic Hoses	3/8"
PSI Max	3,000 PSI
Pivot Points	Grease Zerk
Weight	830 lbs.

Dual Arm Grapple Rake 72" Model #33220 78" Model #33221



- Independent Grapple Arms for grabbing uneven loads
- Serrated tooth design grabs and holds tight

Specifications	
Overall Width	72" & 78"
Overall Height - Closed	31¼"
Overall Height - Open	49½"
Overall Depth	20½"
Grapple Opening	47½"
Tines	1/2" Grade 50
Tubes	3" x 3" x 1/4"
Grapple Arms	1/2" Grade 50 - Laser Cut
Cylinders	2-1/2" x 8" Welded Cross Tube
Hydraulic Couplers	Flat Face
Hydraulic Hoses	3/8"
PSI Max	3,000 PSI
Pivot Points	Grease Zerk
Weight	72" 865 Lbs 78" 950 Lbs

LEGEND ATTACHMENTS

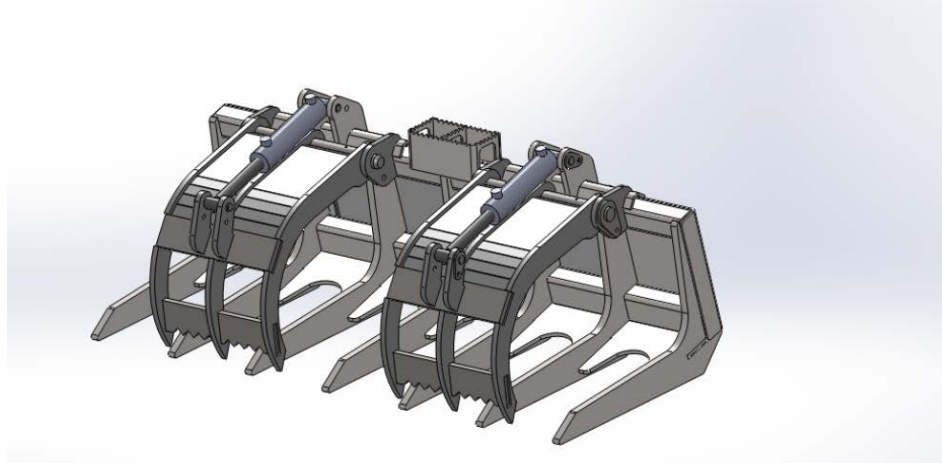
Our Quality Is “LEGEND”ARY

SKID STEER & EURO/GLOBAL GRAPPLE RAKE

ORDER #	Description	LIST	WEIGHT
LA 33078	72” Grapple Rake USSM	\$4594.00	830
LA 33220	72” Dual Grapple Rake USSM	\$4749.00	865
LA 33221	78” Dual Grapple Rake USSM	\$4926.00	950



(STANDARD GRAPPLE SHOWN, DUAL INDEPENDENT GRAPPLES AVAILABLE)



(73” Root Grapple)

